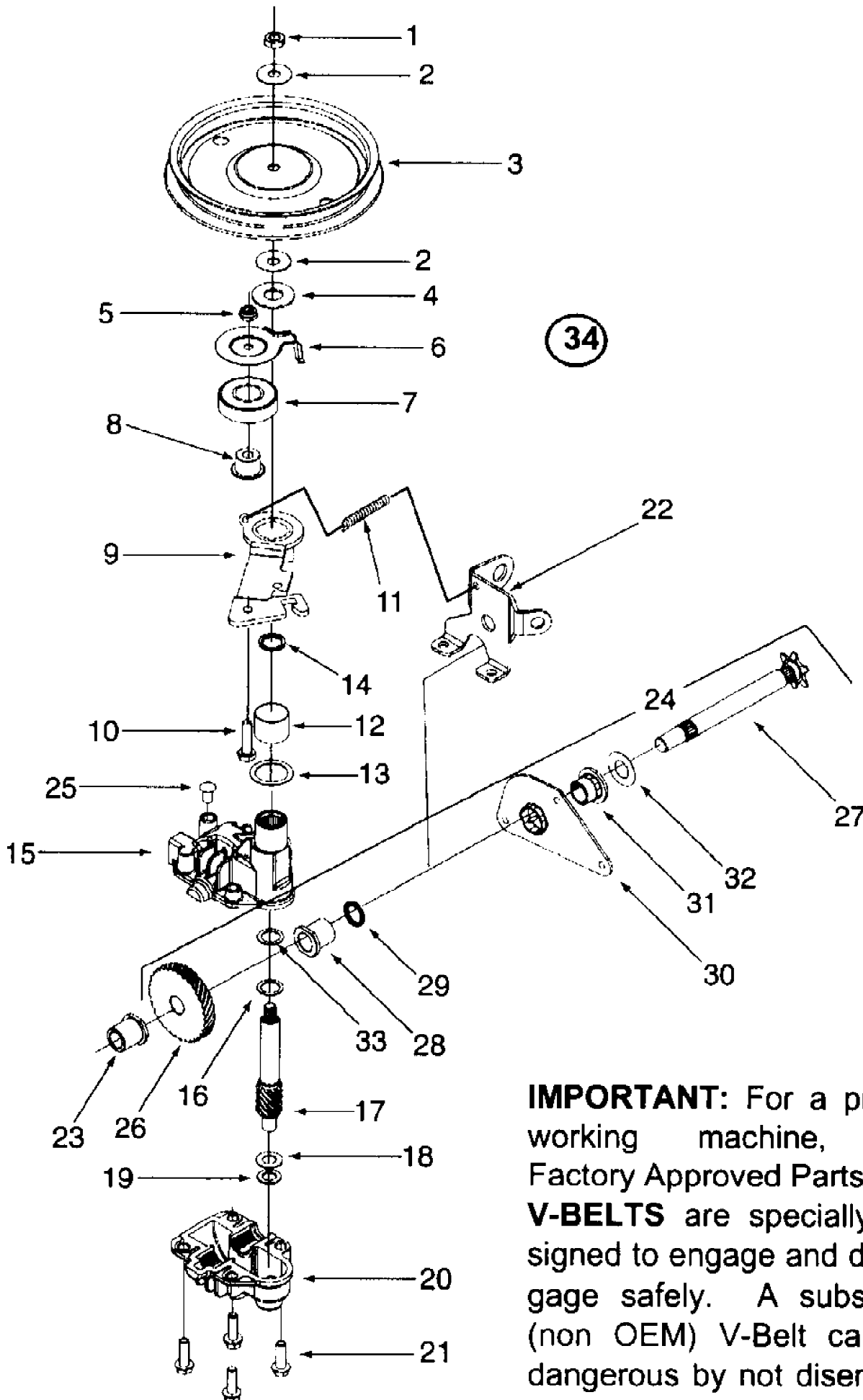


12A-979U190 LC-210SS (2001)
Cable Controls

Page 2 of 9

Ref #	Part Number	Qty	S/P/F	Description
1	746-0939	1	S	6 Spd. Cable
2	656-0613	1	S	Pulley Ass'y Multi-Spd.
3	710-0167	1	/P	Scr. 1/4-20 x .50 Carr.
4	710-0896	1	/P	Scr. AB 1/4-14 x .625 Hxinwsh
5	711-1114	1		Pivot Shaft
6	712-3006	1	/P	Nut 1/4-20
7	732-0807	1	S	Torsion Spring LH
8	736-0270	1	/P	Bell Wash. .265 X .75 X .062
9	736-0329	1	S	Lock Wash. 1/4 Reg Duty
10	736-0526	1	S	Wave Wash. 1.38 x .88 x .029
11	738-0924	1	S	Shld. Scr. .375 x 1/4-14AB
12	750-1070	1	S	Slev Spcr .88 IDx 1.00 OD x.48
13	750-1071	1	S	Slev Spcr .88 ID x 1.13 ID x .12
14	756-0625	1		Roller Cable
15	782-7574A	1	S	6 Spd. Cable Adj. Bracket
16	782-7575A	1	S	6 Spd. Cable Mt. Bracket
17	782-7596	1	S	6 Sp. Control Arm
18	782-7597	1	/P	6 Sp. Pivot Bracket
19	712-0138	1	S	Hex Nut 1/4-28

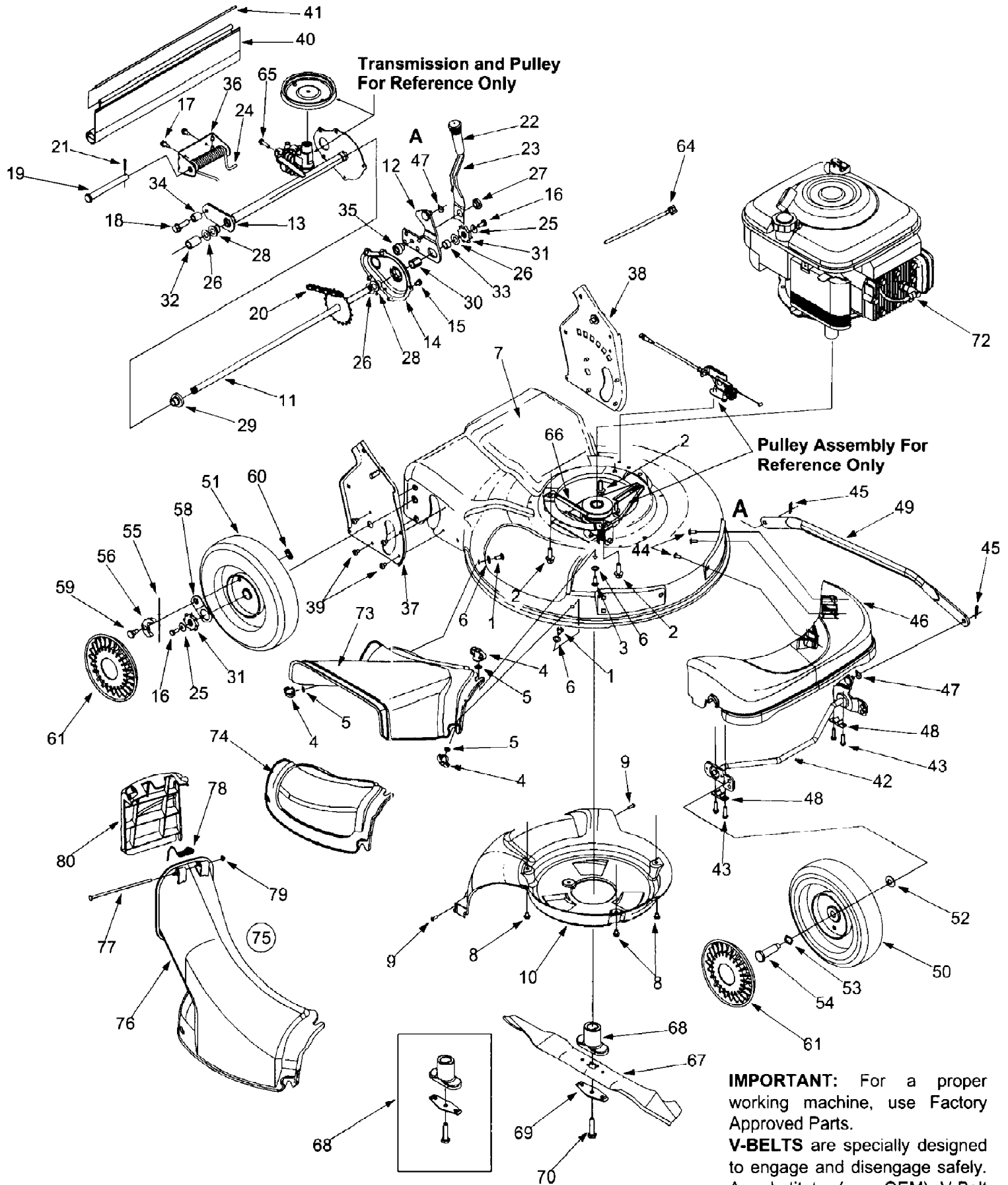


IMPORTANT: For a proper working machine, use Factory Approved Parts. **V-BELTS** are specially designed to engage and disengage safely. A substitute (non OEM) V-Belt can be dangerous by not disengaging completely.

12A-979U190 LC-210SS (2001)
Drive & Transmission

Page 4 of 9

Ref #	Part Number	Qty	S/P/F	Description
1	712-3025	1		Hex Jam Nut 5/16-24
2	736-0425	1	S	Bell Washer .325 x .930
3	756-0656	1	/P	Pulley
4	736-3084	1	/P	Flat Washer .510 x 1.120
5	712-0896	1		Hex Jam Nut 1/4-28
6	782-7598	1		Belt Keeper
7	741-0600	1	S	Bearing
8	750-1050	1		Flange Spacer
9	682-0027A	1	S	Idler Bracket Assembly
10	710-0299	1		Hex Cap Screw 1/4-28 x 1.0
11	732-0849A	1	S	Extension Spring
12	741-0682A	1	/P	Bearing Sleeve
13	736-0570	1	S	Flat Washer .885 x 1.45
14	721-0329	1	S	Oil Seal
15	618-0253	1		Upper Housing Assembly
16	736-0616	1	S	Thrust Washer .504 x .70
17	717-1487	1	S	Pinion Shaft 10T
18	736-0314	1	S	Thrust Washer 3/8 x .70
19	736-0569	1	S	Thrust Washer .388 x .625
20	618-0252	1	S	Lower Housing Assembly
21	710-0642	1	/P	Hex Screw 1/2-20 x .75
22	782-7601A	1	S	Cable Bracket
23	741-0674	1	S	Bearing
24	611-0066	1	S	Shaft Assembly
25	721-0325	1		Plug
26	717-1469	1		Gear 34T
27	711-1168	1		Output Shaft 6T
28	741-0673	1	S	Flange Bearing
29	721-0329	1	S	Oil Seal
30	782-7595	1		Pivot Bracket
31	741-0324	1	S	Flange Bearing
32	736-0369	1	S	Flat Washer .508 ID x 1.0
33	741-0690	1		Bearing
34	618-0263A	1	S	Transmission Assy. Complete



IMPORTANT: For a proper working machine, use Factory Approved Parts.
V-BELTS are specially designed to engage and disengage safely. A substitute (non OEM) V-Belt can be dangerous by not disengaging completely.

12A-979U190 LC-210SS (2001)
General Assembly

Page 6 of 9

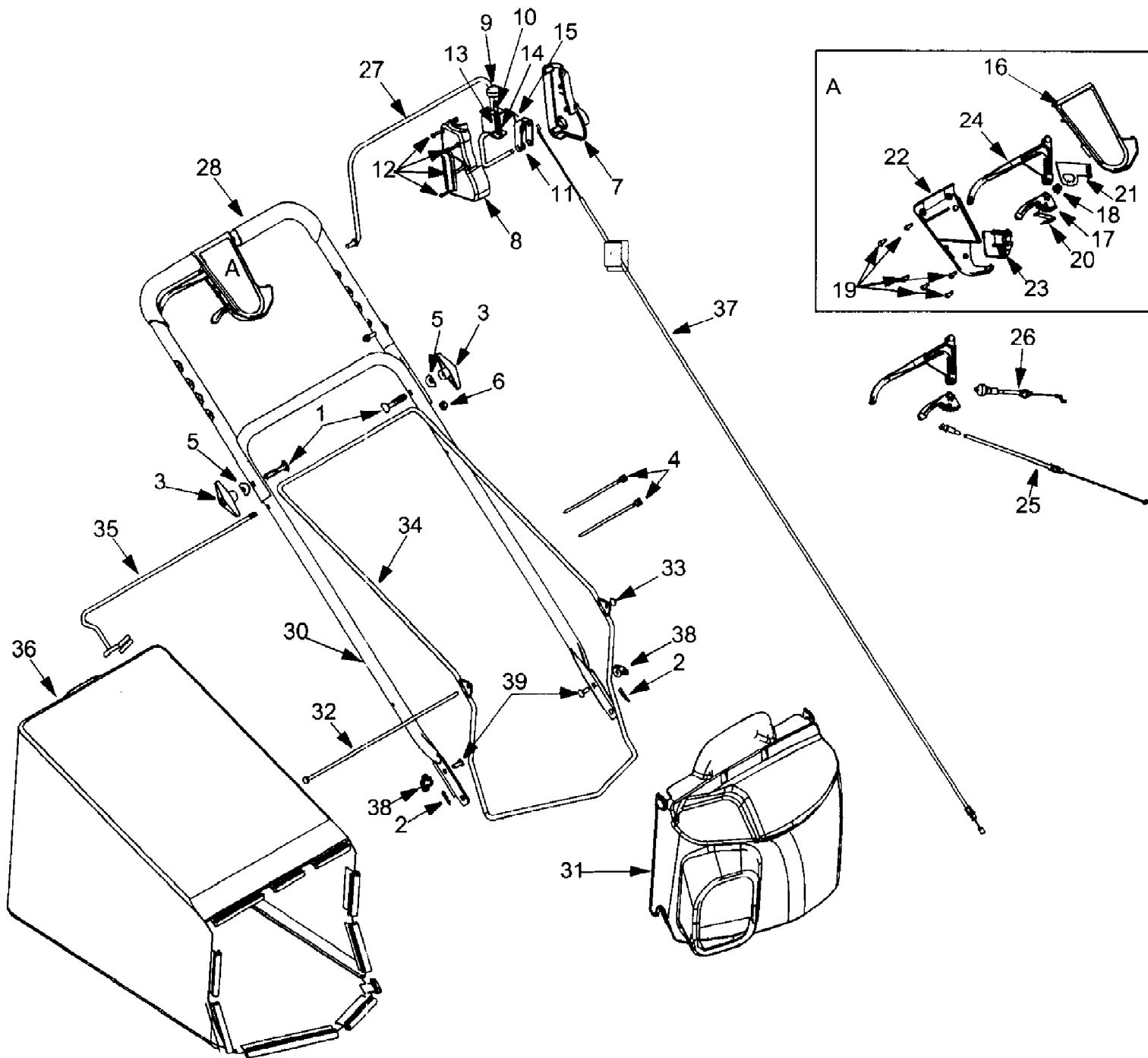
Ref #	Part Number	Qty	S/P/F	Description
1	710-0134	1	/P	Carriage screw 1/4-20 x .62
2	710-0654A	1	/P	TT Screw 3/8-18:1.00
3	710-0703	1	/P	Screw 1/4-20 x .750
4	712-0397	1	S	Wing Nut 1/4-20
5	726-0233	1	/P	Push Nut .25 I.D. x .50 O.D.
6	736-0204	1	/P	Flat Washer .334 I.D.x.62 x.03
7	782-0046B	1	/P	Deck - 21"
8	710-0653	1	/P	TT Screw 1/4-20 x .375
9	710-0969	1	/P	HL Screw 1/2-14 x .750
10	731-1828	1		Baffle
11	638-0012	1	S	Rear Axle Ass'y
12	682-0531	1	S	Pivot Arm Ass'y
13	682-7526	1	S	Trans. Axle Ass'y
14	682-7528	1	S	Chain Cover Ass'y
15	710-0653	1	/P	TT Scr. 1/4-20 x .375
16	710-0751	1	/P	Cap Screw HH 1/4-20 x .620
17	710-0896	1	/P	AB Scr. 1/4-14 x .625
18	710-1315	1	/P	Scr. 3/8 116 x .25
19	711-0835	1	S	Clevis Pin .50 Dia.x4.82
20	713-0453	1	S	Chain-Endls. #48 .500P x 24
21	714-0474	1	S	Cotter Pin .1250.D. x .75
22	720-0223	1		Grip
23	732-0803A	1	/P	Spring Lever
24	732-0832	1		Torsion Spring
25	736-0270	1	/P	Bell Wash. .285 x .75 x .082
26	736-0369	1	S	Fl. Wash .508 I.D. 1.000 x.020
27	738-0529	1	S	Nut Shld. .825 Dia. x .165
28	741-0324	1	S	Hx.Fl.g. Brg .506 I.D. x .590
29	741-0522	1	S	Hx.Fl.g. Brg .506 LD. x .715
30	741-0978	1		Hx. Slv. Brg .504 I.D. x .830
31	748-0318	1	S	Wheel Ratchet
32	750-0151	1	S	Spacer .550 I.D. x /750 O.D.
33	750-0515	1		Spacer .51 I.D. x .70 O.D. x 38
34	750-0807	1		Spacer .385 x .624 x .700
35	750-1056	1	S	Shld. Spacer .385 I.D. X .715
36	782-0568	1	S	Brkt. - Ht. Adj. Spring
37	682-3052	1		Handle Brkt. Ass'y. R.H.
38	682-3053	1		Handle Brkt. Ass'y. L.H.
39	710-1348	1	/P	Scr. AB 1/4-14 x .500
40	731-1901	1	S	Trail Shield
41	732-0842	1		Trail Shield Wire
42	611-0064	1	S	Front Axle Assembly
43	710-1241	1		Hx Scr. Wash Hd. Hi.-Lo.
44	710-1242	1	/P	Scr. Torx, Truss Hi.-Lo.
45	714-0104	1	S	Cotter Pin .072 x 1.12 Lg.
46	731-1834	1		Front Axle Cover, Grey
47	736-0286	1	S	Bowed Washer
48	741-0492A	1	/P	Bush. Block .505 Dia. x .62
49	782-0565	1	S	Control Arm
50	734-2008	1	S	Wheel 8 x 2
51	734-2010	1	S	Wheel 9 x 2
52	736-0105	1	/P	Spr. Wash. .401 x .870 x .063
53	736-0504	1	S	Wash. .510 x .750 x .017

12A-979U190 LC-210SS (2001)
General Assembly

Page 7 of 9

Ref #	Part Number	Qty	S/P/F	Description
54	738-0102	1	S	Shldr Scr .498 x 1.445 x 3/8-16
55	106228	1		Spring, Ratchet, Plastic
56	748-0381	1		Pawl: RH.
56	748-0188B	1	S	Pawl: LH.
58	16855	1		Ratchet Pawl Plate
59	738-0137A	1	S	Shoulder Scr. .340 x .285
60	712-0414	1	S	Top Lock Tab Weld Nut 1/4-20
60	712-0414	1	S	Top Lock Tab Weld Nut 1/4-20
61	731-0981A	1	S	Hubcap: Rad. Spoke Grey
64	725-0157	1	/P	Cable Tie
65	710-0604A	1	/P	Hex Screw 5/16-18
66	754-0460	1	S	V-Belt
67	742-0741	1	S	21" Mulching Blade
68	753-0609	1		Blade Adapter Kit
69	736-0524A	1	S	Blade Bell Suport
70	710-1257	1	/P	Hex Bolt 3/8-24 x 2.5" Lg.
72	735-0639	1	/P	Spark Plug Insulator
73	731-1832	1		Side Discharge Chute
74	731-1833	1	S	Mulch Cover
75	631-0066	1	S	Rear Chute Ass'y w/ Door
76	731-1713B	1	S	Discharge Chute
77	747-0965	1		Pivot Rod
78	732-0819	1		Torsion Spring
79	726-0111	1	/P	Push Cap
80	731-1874	1		Chute Door
	710-1268	1	/P	Special Screw Not Shown
	751B224437	1		Muffler Guard Not Shown
	751B281451	1	/P	Engine Shroud Not Shown
	710-1256	1	/P	Pan Screw Not Shown

12A-979U190 LC-210SS (2001)
Handle, Control & Bag



12A-979U190 LC-210SS (2001)
Handle, Control & Bag

Page 9 of 9

Ref #	Part Number	Qty	S/P/F	Description
1	710-1174	1	/P	Bolt Cur. Carr. 5/16-18 x 2.0
2	714-0104	1	S	Cotter Pin .072 x 1.12 Lg.
3	720-0241	1	S	Knob Ass'y Wing Nut 5/16-18
4	726-0240	1	S	Cable Tie
5	736-0451	1	S	Wash. Sad. .320 ID x.830 OD
6	712-0429	1	S	Hex Nut 5/16
7	731-2532	1		Control Cover LH
8	731-2533	1		Control Cover RH
9	720-0428	1		Button
10	715-0168	1		Pin
11	782-0156	1		Lever
12	710-1256	1	/P	Hi-Low Screw
13	732-1171	1		Compression Spring
14	716-0209	1		Retention Spring
15	732-1172	1		Torsion Spring
16	731-0904A	1	S	Upper Control Housing
17	731-0924	1		6-Speed Shift Lever
18	713-0397	1	S	Gear Insert
19	710-1667A	1	/P	C-Sunk Tap Screw #10 x .75 L
20	732-0627	1		Shift Lever Spring
21	16864	1		6 Speed Rack Cable Brkt.
22	731-0905A	1	S	Lower Control Housing
23	731-0906	1	S	Cable Mounting Cap
24	731-0620	1	S	Control Lever
25	746-0939	1	S	6-Speed Cable
26	746-0711A	1	S	Self-Propelled Cable
27	647-0058	1	S	Control Handle
28	720-0294	1	/P	Foam Grip (2 Reqd.)
?29	749-1405	1	S	Upper Handle
30	749-0907A	1	S	Lower Handle
31	631-0071	1	/P	Grassbag Cover w/Label
32	747-0939	1		Pivot Rod
33	726-0106	1	S	Cap Nut
34	747-0937	1	S	Grassbag Frame
35	747-0940A	1	S	Support Rod w/ Rope Guide
36	664-0112	1	S	Grass Bag
37	746-1141	1	S	Control Cable 58.25"
38	712-0397	1	S	Wing Nut
39	710-0703	1	/P	Carriage Bolt 1/4-20